



YangtzeCool

Yangtze Ice Systems Co., Ltd.

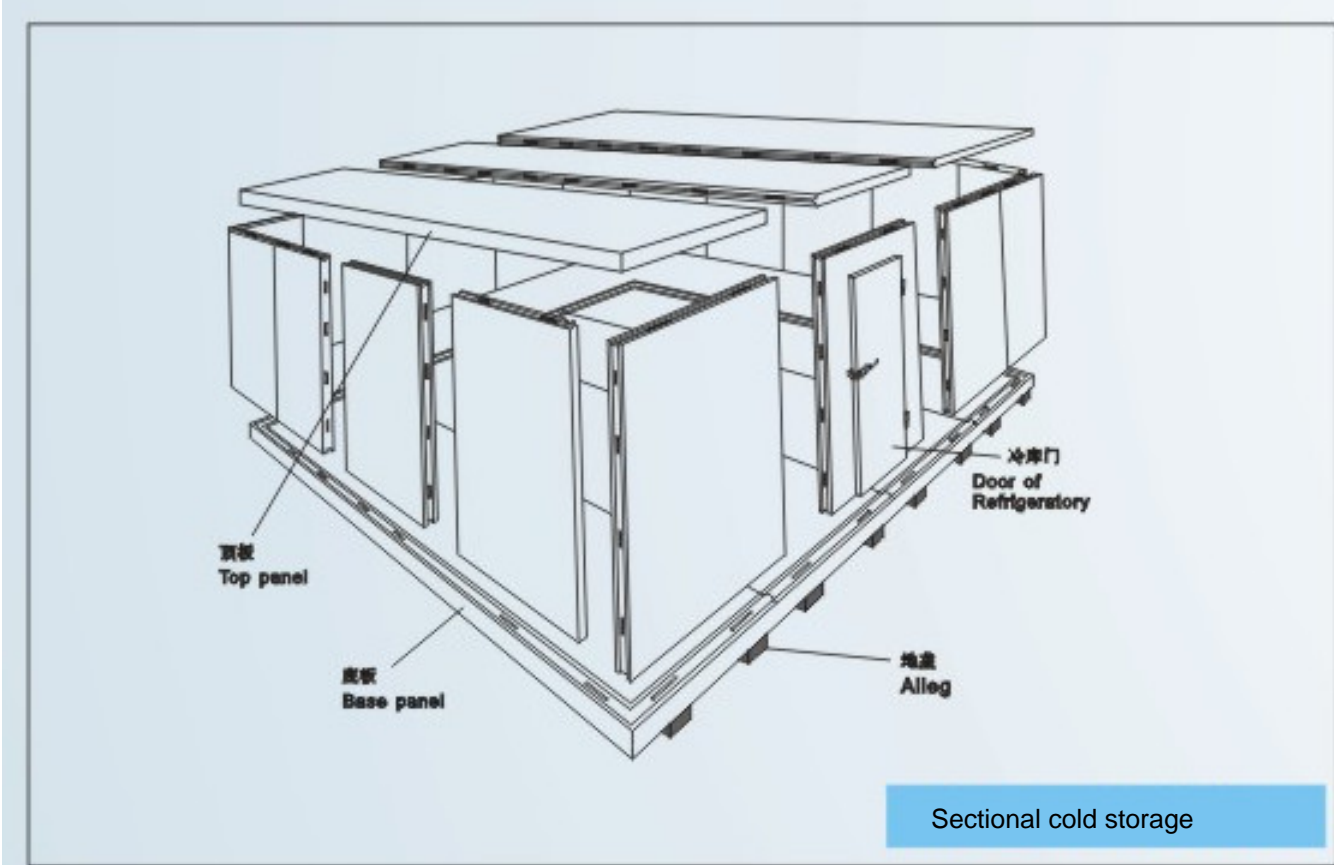


YangtzeCool Ice Systems Co., Ltd. is a professional company which specialized in the manufacturing of polyurethane heat insulating board of sectional cold storage.

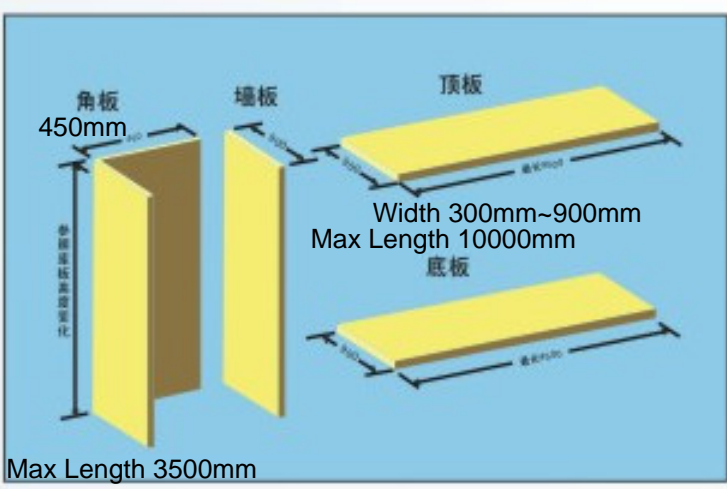
Our products are widely applied in hotels, restaurants, food processing and whole saling, medicine producing, school and ocean fisher, etc. to store and freeze meat, eggs, water-food, fruits and vegetables, medicine, etc. There are color steel plate, embossing aluminum, zincification plate, stanless steel plate and other kinds of pans, which are artistic and firm, anti-corrosive and durable, high capability of eat insulating.

Many enterprises have use our products. Such as Guangzhou New Baiyun Airport, Guangzhou University City, South China University of Technology, South China Agricultral University, etc.

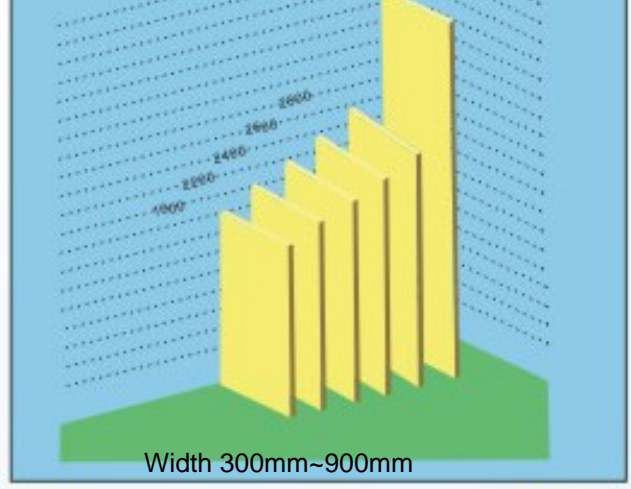




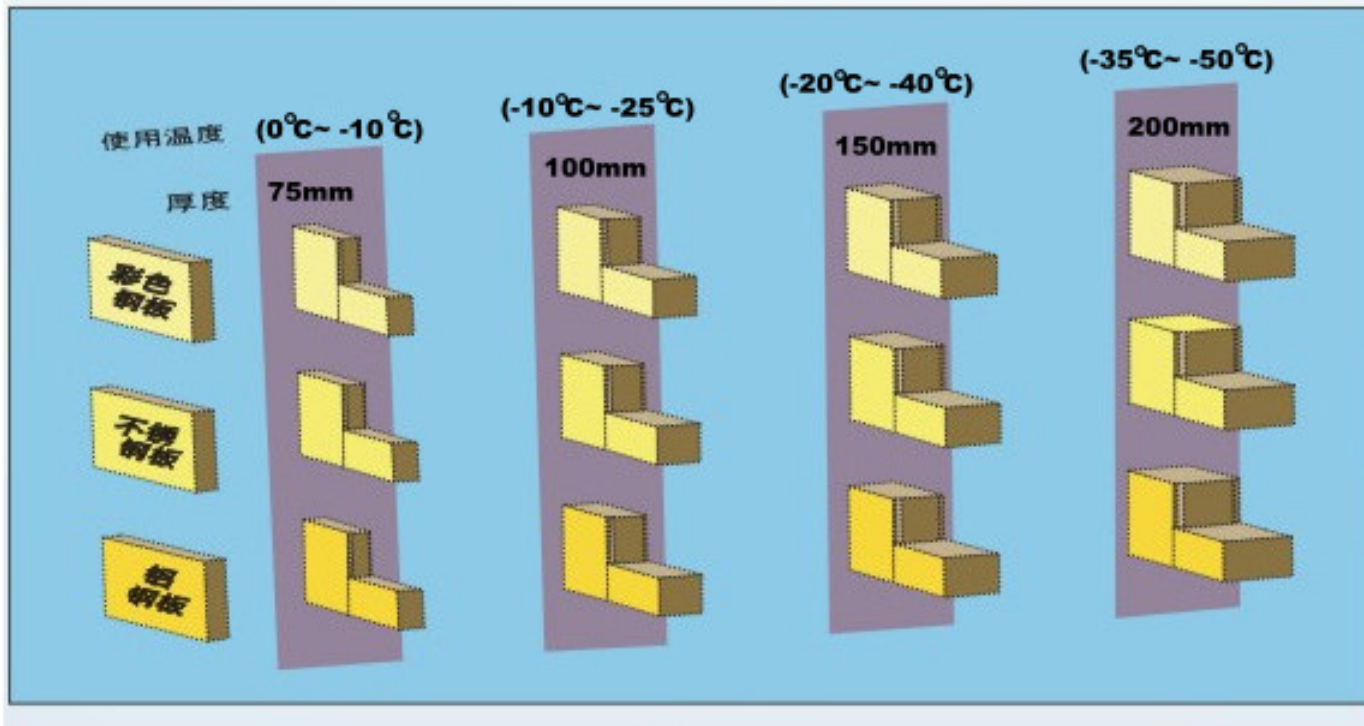
Size of the Soleplate



Height Change



Thickness and Pans Choice





YangtzeCool Factory



Project example



YangtzeCool Factory



Project example

YangtzeCool Sectional cold storage can be designed according to the user's request specially fit for his roomage. With the first-class equipments and technology, high quality and competitive price, our products are selling all around China, Hongkong and Macau.



YangtzeCool Factory



YangtzeCool Factory



YangtzeCool Factory



YangtzeCool Factory



YangtzeCool

Company : Yangtze Ice Systems Co., Ltd.

Add:Yongsheng Industrial Area, Guicheng, Nanhai, Foshan,Guangdong Province.China

Contact person:Sam Shao

Mobile:86-0-13326750507

Tel:86-757-83661995

Fax:86-757-83661995

Email/MSN: hailingzl@yahoo.com.cn

Fatory Address:Bai Gang Industrial Area ,He Shun Town,Foshan City,Guangdong province, China.